

Drool Disc

Drool Protection Worksheet

How To Order

To process an order or quote please specify the following information

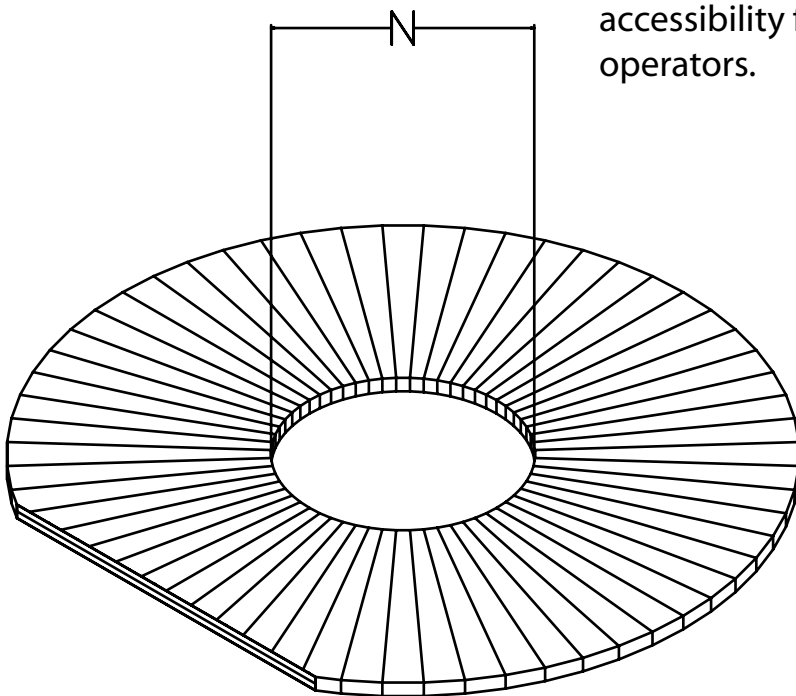
Disc
"N" = Dimension of Nozzle

LINE # _____

QUANTITY

Standard 6" outer diameter.
(Custom diameters are available for machines with recessed nozzle areas).

Drool Discs now comes in a plastic dispenser which magnets to the side of Machines for easier accessibility for machine operators.



N		_____
N		_____
N		_____
N		_____
N		_____
N		_____

Customer Information

Contact Name _____
 Company _____
 Address _____
 City, State, Zip _____
 Telephone _____ - _____ - _____
 Fax _____ - _____ - _____

Rep/Distributor _____
 Salesperson _____
 Telephone _____ - _____ - _____
 Fax _____ - _____ - _____
 Machine Brand _____
 Tons/Ounces _____
 Temperature Range _____

Make copies from this worksheet as needed and fax your request to us. Fax (972) 436-0112.
 Do you have questions? Please call us toll free 1 (800) 657-9542 _ or E-mail us at unitherm@unitherm.com
 also visit our website at <http://www.unitherm.com>